

Floor and Wall Mount Door Holder

Model: YD-605

Basic Instruction

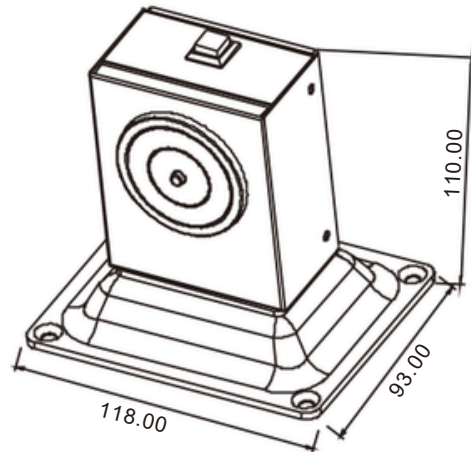
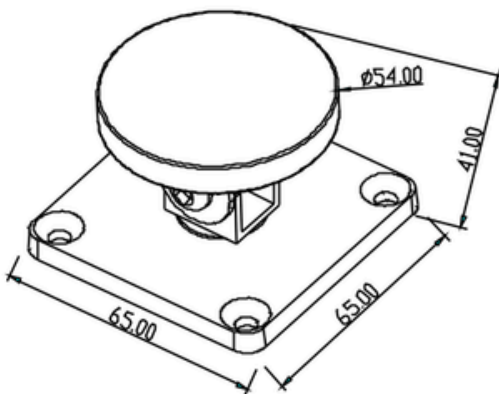
Dual Voltage Selectable(12VDC or 24VDC)
Emergency Release Button/Test Button
Wall Mounting Direction

Low Current Consumption
Reliable Fail-Safe Mechanism
Durable and Silence Operation

Specifications

- Dimensions: 118Lx93Wx110H(mm)
- Voltage: Factory Default : 24VDC , 12VDC(Adjustment)
- Current Draw: 12/180mA 24V/70mA
- Optional: Manual door release button
- Surface Temp: $\leq +20^{\circ}\text{C}$
- Operating Temp: $-10\sim +55^{\circ}\text{C}(14-131\text{F})$
- Weight: 1.4kg
- Holding Force: 70kg(140Lbs)
- Suitable for: All Kinds of Single(Double) Smokeproof Door
- Suitable Humidity: 0~90%(relative humidity)
- Finishes for Shell: High Temperature Paint and Environmental Protection Zinc
- Finishes for Armature: Chromium

Dimension



Installation

Remarks:

1. The default setting is 24VDC.
2. If user want to connect with 12VDC, operating as below:
 - (1) Pull those two jumpers out. It is showed 4 pins here.
 - (2) To set up 12VDC, insert one jumper on the position of 1 and 2, second jumper on the position of 3 and 4.

