

# Mortice Mounted Door Holder

## Model: YD-603

### Basic Instruction

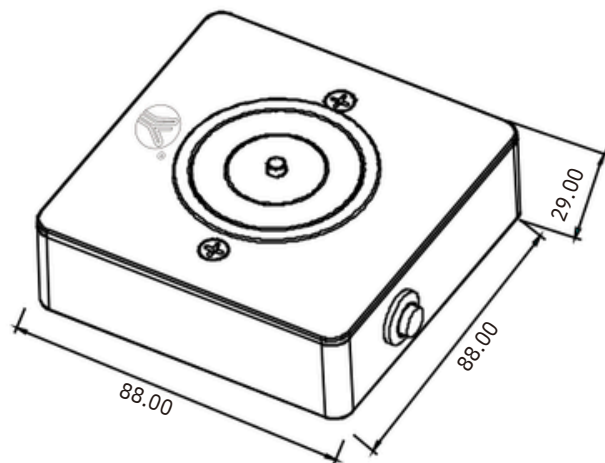
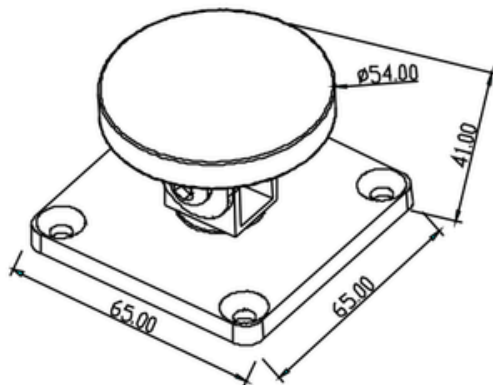
Dual Voltage Selectable(12VDC or 24VDC)  
Emergency Release Button/Test Button  
Wall Mounting Direction

Low Current Consumption  
Reliable Fail-Safe Mechanism  
Durable and Silence Operation

### Specifications

- Dimension: 88Lx88Wx29H(mm)
- Voltage Input: 12VDC/24VDC(Adjustment)
- Voltage/Current: 12V/180mA 24V/70mA
- Surface Temp:  $\leq +20^{\circ}\text{C}$
- Operating Temp:  $-10 \sim +55^{\circ}\text{C}$ (14-131F)
- Finishes for Armature: Chromium
- Faceplate material: stainless steel
- Weight: 1.0kg
- Holding Force: 70kg(140Lbs) $\pm 10\%$
- Suitable for: All kinds of Single(Double) Smoke proof Doors
- Optional: Manual door release button
- Finishes for Shell: High Temperature Paint  
Environmental Protection Zinc
- Suitable Humidity: 0~95%

### Dimension



### Installation

#### Remarks:

1. The default setting is 24VDC.
2. If user want to connect with 12VDC, operating as below:
  - (1) Pull those two jumpers out. It is showed 4 pins here.
  - (2) To set up 12VDC, insert one jumper on the position of 1 and 2, second jumper on the position of 3 and 4.

