

# SD-70

## RECESSED CONTACTS

.76"(19.4mm) Steel Door Recessed Type



Contact Size: .75"×.84"(19.05mm×21.3mm)

Standard Magnet Size: .75"×.84"(19.05mm×21.3mm)

Standard Gap: 1.1"(28mm)

Colors: White, Brown

12"(305mm) 22 AWG Leads Standard

Longer leads available.

### Specifications

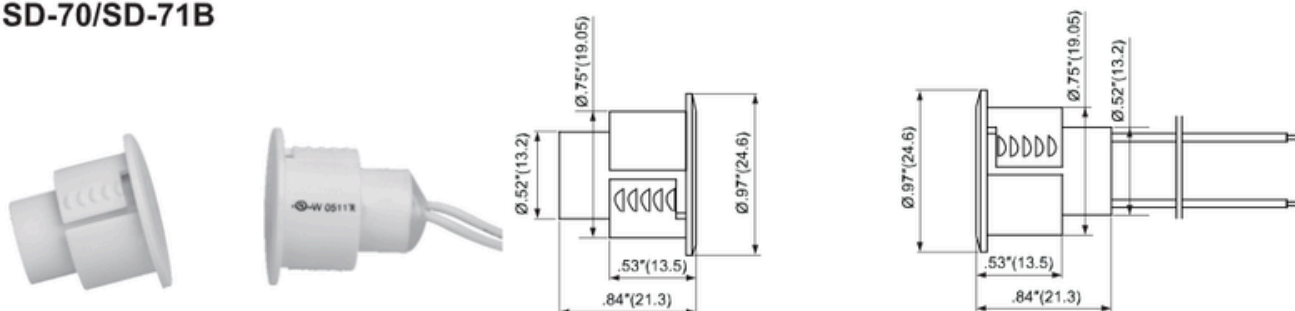
Part Number	Gap Inch(mm)	Loop Open/Closed	Reed Form	Max. Contact Rating (W)	Max. Initial Contact Resistance (mΩ)	Max. Switching Voltage (V)	Max. Switching Current (A)
SD-70	1.1"(28)	CLOSED	Normally Open	10	100	AC110/DC100	0.5
SD-71B	1.1"(28)	OPEN	Normally Closed	3	100	AC30/DC30	0.2
SD-70 WG	1.26"(32)	CLOSED	Normally Open	10	100	AC110/DC100	0.5
SD-72C	1.1"(28)	SPDT	SPDT	3	100	AC30/DC30	0.2
SD-74C	.75"(19)	DPDT	DPDT	3	100	AC30/DC30	0.2

OPERATING TEMPERATURE:-40°C to +60°C

### Outline Dimensions

Unit: inch(mm)

#### SD-70/SD-71B



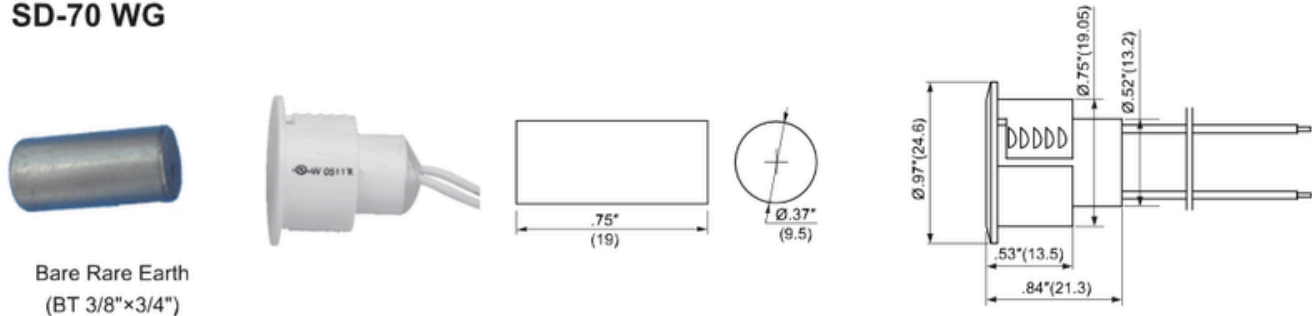
# SD-70

## RECESSED CONTACTS

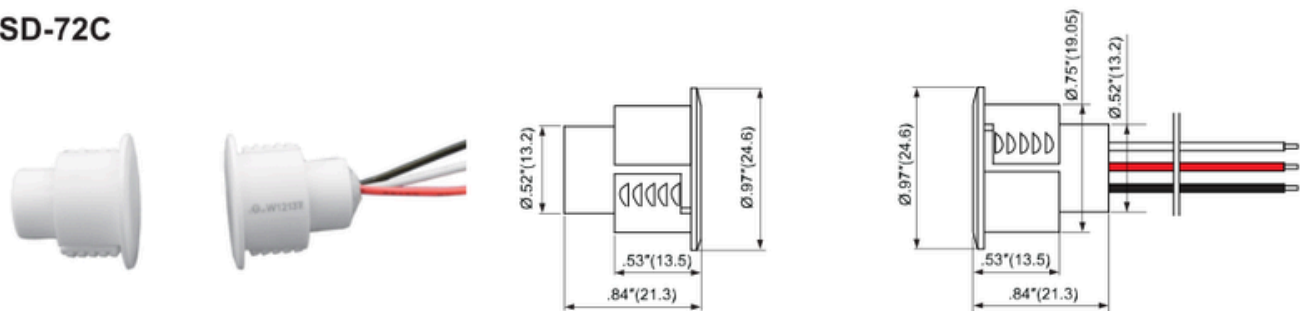
### Outline Dimensions

Unit: inch(mm)

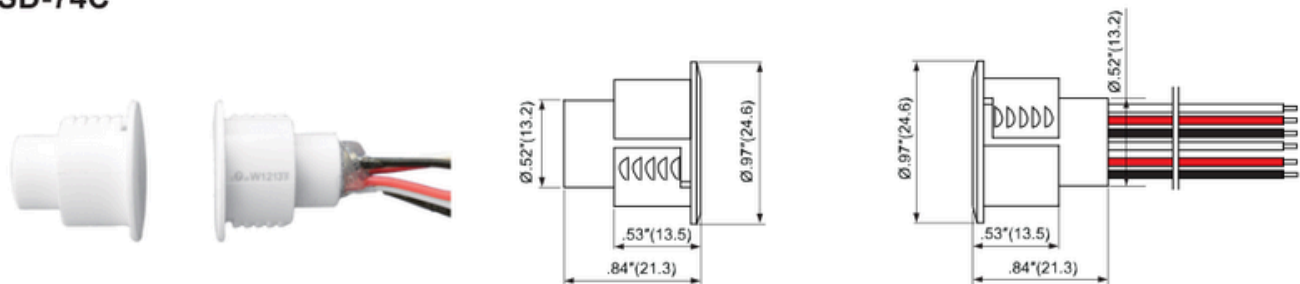
#### SD-70 WG



#### SD-72C

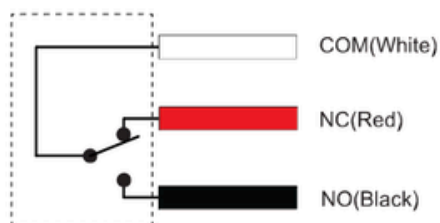


#### SD-74C



### Wiring Diagram

#### SD-72C



#### SD-74C

