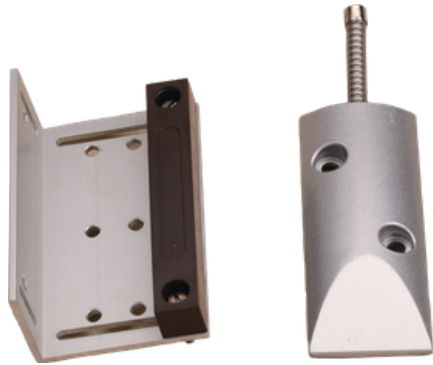


MET-44 WG OVERHEAD DOOR CONTACTS

4.22"L x 1.73"W x .47"H Surface Mount Armored Commercial Type



Contact Size: 4.22"L x 1.73"W x .47"H
(107.2mm x 44mm x 12mm)

Standard Magnet Size: 4.13"L x 2.42"W x 1.5"H
(105mm x 61.7mm x 38mm)

Standard Gap: 2" (50mm)

Colors: Aluminum Case

18" (458mm) Armored Leads

36" (915mm) Armored Leads Available

Specifications

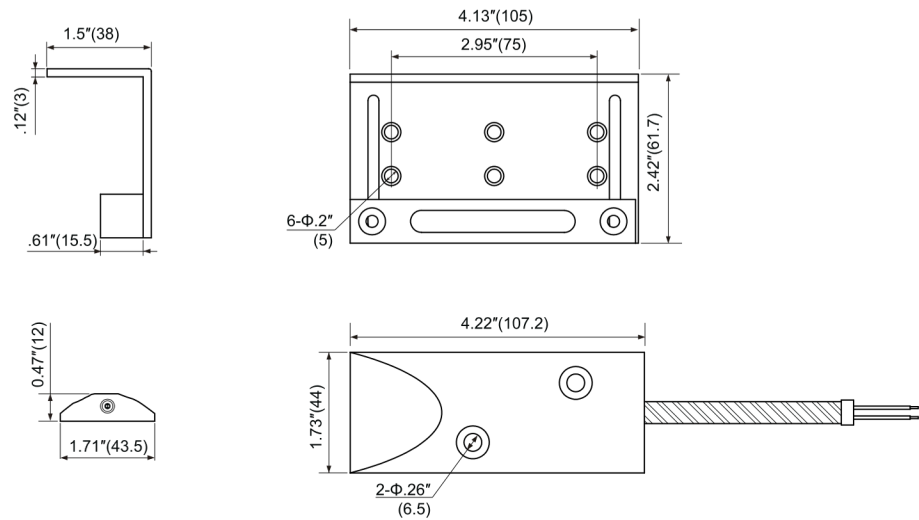
Part Number	Gap Inch(mm)	Loop Open/Closed	Reed Form	Max. Contact Rating (W)	Max. Initial Contact Resistance (mΩ)	Max. Switching Voltage (V)	Max. Switching Current (A)
MET-44 WG	2"(50)	CLOSED	Normally Open	10	100	AC110/DC100	0.5
MET-45 WG	1.93"(49)	OPEN	Normally Closed	3	100	AC30/DC30	0.2
MET-46 WG	1.93"(49)	SPDT	SPDT	3	100	AC30/DC30	0.2

OPERATING TEMPERATURE: -40°C to +60°C

Outline Dimensions

Unit: inch(mm)

MET-44 WG/MET-45 WG

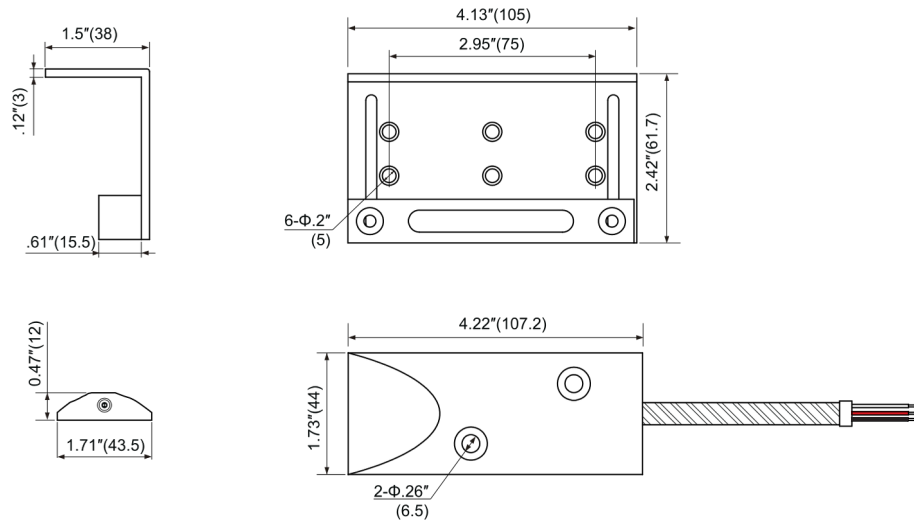
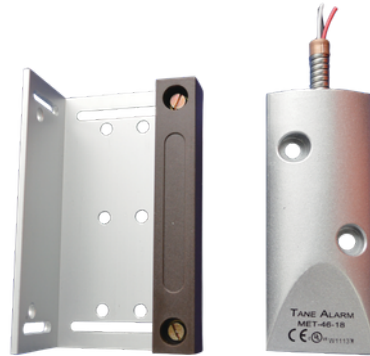


MET-44 WG OVERHEAD DOOR CONTACTS

Outline Dimensions

Unit: inch(mm)

MET-46 WG



MET-46 WG Wiring Diagram

