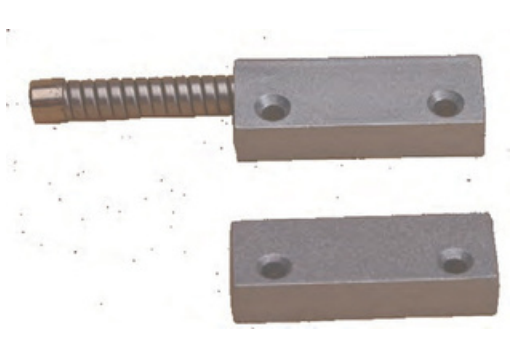


MET-200

SURFACE MOUNT CONTACTS

****MET-202C AR-WP18 (Water Resistant - SPDT)**

2"L×.74"W×.37"H Surface Mount Armored Commercial Type W/Wire Leads or Armored Cable



Contact Size: 2"L×.74"W×.37"H
(51mm×18.8mm×9.5mm)

Standard Magnet Size: 2"L×.74"W×.37"H
(51mm×18.8mm×9.5mm)

Standard Gap: 1.25"(32mm)

Colors: Aluminum Case

18"(458mm) Armor Cable Standard (MET-200AR)

36"(915mm) Armor Cable Available (MET-200AR 36")

12"(305mm) 22AWG Leads Standard (MET-200)

Specifications

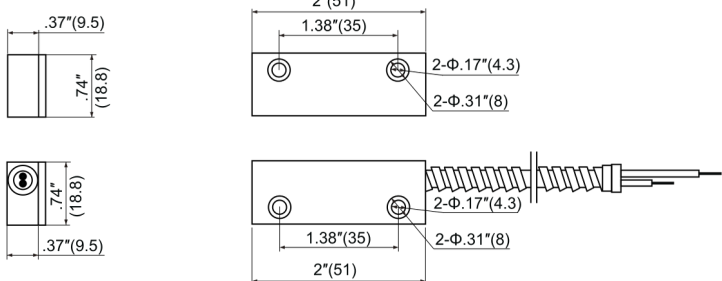
Part Number	Gap Inch(mm)	Loop Open/Closed	Reed Form	Max. Contact Rating (W)	Max. Initial Contact Resistance (mΩ)	Max. Switching Voltage (V)	Max. Switching Current (A)
MET-200	1.25"(32)	CLOSED	Normally Open	10	100	AC110/DC100	0.5
MET-200 AR	1.25"(32)	CLOSED	Normally Open	10	100	AC110/DC100	0.5
MET-201B	1.18"(30)	OPEN	Normally Closed	3	100	AC30/DC30	0.2
MET-201B AR	1.18"(30)	OPEN	Normally Closed	3	100	AC30/DC30	0.2
MET-202C	1.18"(30)	SPDT	SPDT	3	100	AC30/DC30	0.2
MET-202C AR	1.18"(30)	SPDT	SPDT	3	100	AC30/DC30	0.2
**MET-202C AR-WP18	1.18"(30)	SPDT	SPDT	3	100	AC30/DC30	0.2

OPERATING TEMPERATURE:-40°C to +60°C

Outline Dimensions

MET-200 AR/MET-201B AR

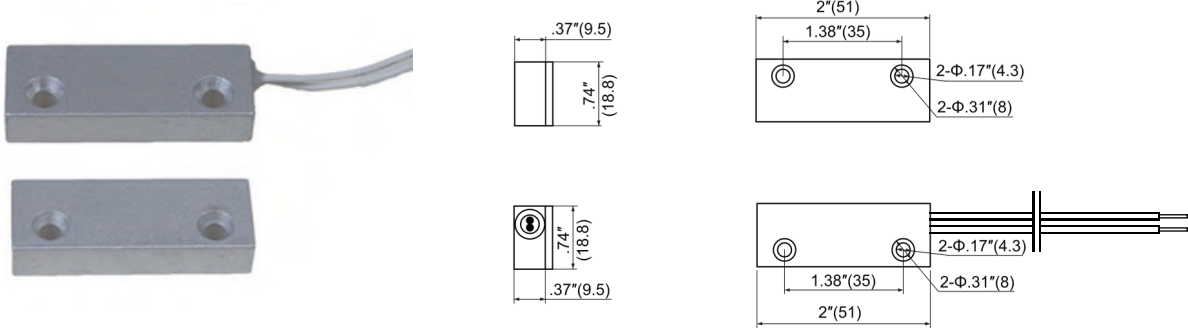
Unit: inch(mm)



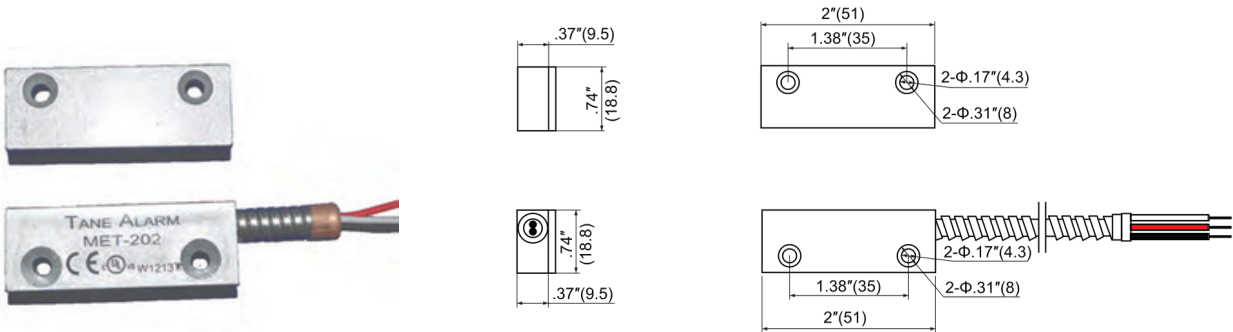
MET-200 SURFACE MOUNT CONTACTS

Outline Dimensions Unit: inch(mm)

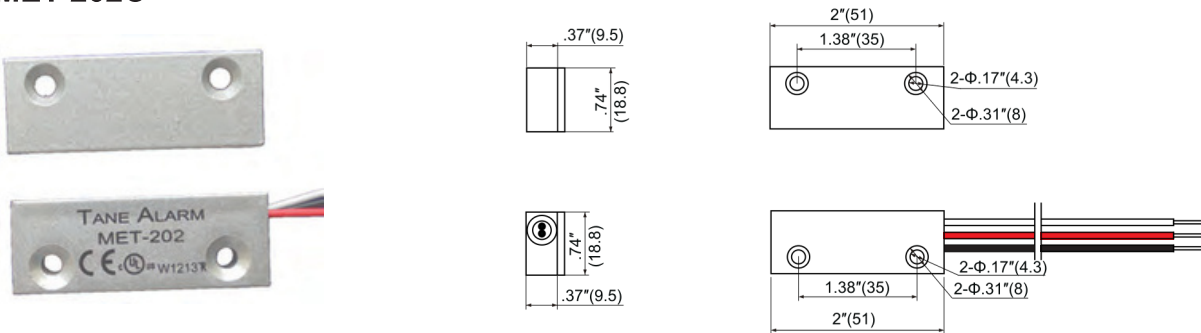
MET-200/MET-201B



MET-202C AR & MET-202C AR-WP18



MET-202C



MET-202C & MET-202C AR & MET-202C AR-WP18 Wiring Diagram

