

LED Dual-Tube Light

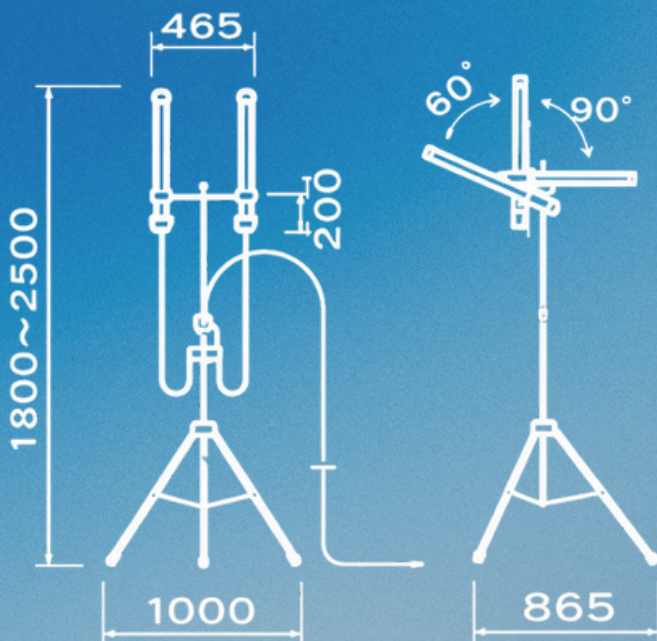
An outdoor LED lighting stand set designed for construction sites, maintenance work, emergency backup lighting, and large-scale event lighting.

The system includes an LED light tube, an adjustable stand, and a connection cable for quick setup and multi-light daisy-chain use.

Meeting diverse lighting needs across multiple applications.

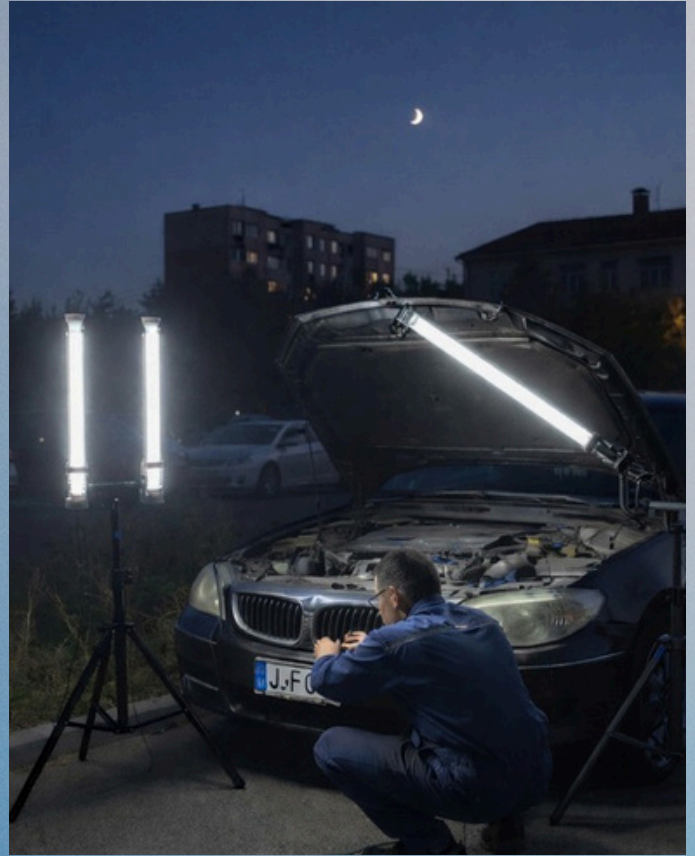
Key Features

- Oil-resistant and waterproof for reliable operation in harsh environments
- High-efficiency LED delivers bright illumination with low power consumption
- 0-360° adjustable stand with durable clamp for flexible positioning
- Includes 10 m connection cable and 3-way connector
- Up to 40 sets can be connected, making it ideal for large-area lighting layouts.



Unit: mm





Item	Specification
Product Name	LED Light Pole Stand Set
Material	Light: T5 tube + acrylic housing (heat resistant up to 60°C); Stand: Stainless steel
Light Source	6000K
Luminous Flux	5,800lm
Protection Rating	IP67 (Waterproof)
Operating Temperature	-10°C ~ + 60°C
Power Supply	AC100~240V , 50/60Hz
Power Consumption	20W × 2
Dimensions	1000mm × 2500mm (Stand height up to 2.6 m)
Weight	Approx. 12kg
Contents	2 × LED poles, 2 × clamps, connection cable, pneumatic stand with T-BAR