

Overview

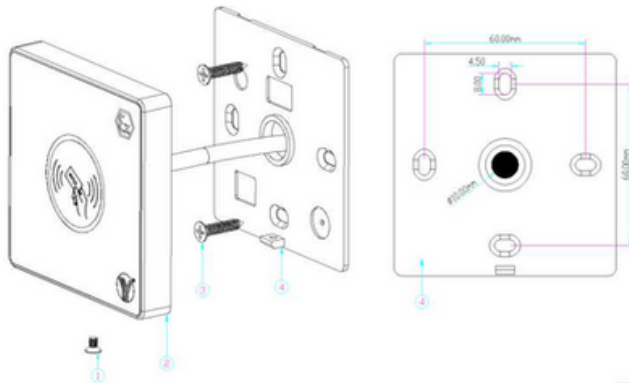
This product is a contactless card reader, can read EM card, HID card or IC card, using Atmel MCU, low power consumption, stable and reliable, easy to install.

Specification

Characteristics	
Size	86x86x13mm
Card	125Khz EM Card/HID Card (EPCR-168ID-EX) 13.56MHz MF Card(ISO14443A) (EPCR-168IC-EX)
Voltage	9~18V DC
Current	≤25mA
Induction Distance	3cm
Waterproof Level	IP 67
Operation Temperature	-40°C ~ +60°C
Humidity	10%~90%
Weight	0.32kg
Certificate numbe	ECM 23 ATEX-B DN 89
ATEX	II 1G Ex ib IIC T6 Gb II 2D Ex ib IIIC T85°C /T100°C Db
Patent No.	ZL202230780127.5

Installation Instructions

- Remove the screw on the bottom as shown in Figure 1, separate the back plate and cover.
Fix the back plate on the installation position on the wall by hand and draw the positions of the four mounting holes and outlet holes with a pencil (size as shown in Figure 4).
Drill all mounting holes and outlet holes with electric drill.
- Fix the back plate on the wall with the two screws(Figure 3) in screw bag.
- Pass the lead wire through the outlet hole of the back plate and connect the required wires.
Please isolate and wrap the unused wires with insulation tape to prevent short circuit.
- Put the cover and fasten the screw.

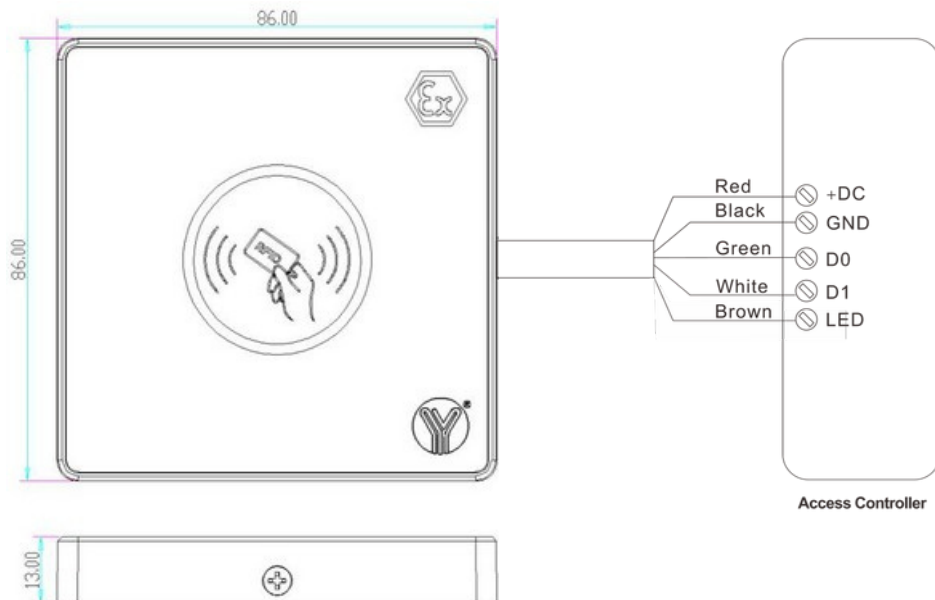


Instrution

No.	Colour	Wire Contact	Funtion
1	Red	+9~18V	+
2	Black	GND	-
3	Green	D0	Wiegand Signal Output
4	White	D1	Wiegand Signal Output
5	Brown	LED	Green Light Control Input

1. When the LED line is at low level, the green light is on, the card reading function can be used normally.
2. Wiegand format of this card reader can be customized. The range is Wiegand26-37
3. The Wiegand data line is usually at a high level, and the low level indicates data output.
The low level pulse width is 40uS and the pulse width interval is 2mS

Dimensional Drawing and Wiring Diagram



Audio and light instructions

State	Red	Green
Standby	On	Off
Flash the card		On